

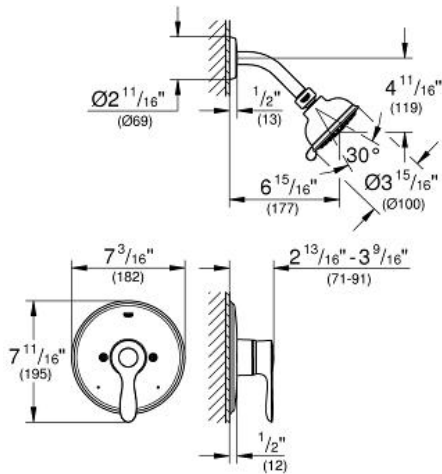
PARKFIELD Pressure Balance Valve Shower Combination

MODEL # 35039

GROHE America, Inc | 200 North Gary Avenue, Suite G, Roselle, IL 60172
Phone: +1 (800) 444-7643 | Fax: +1 (800) 225-2778 | us-customerservice@grohe.com

Pure Freude an Wasser

GROHE



ADA

Product Description:
Pressure Balance Valve Shower Combination

Standard Specification:

- Pressure Balance Valve Trim (19 921)
- 5 5/8" Tubular shower arm (27 414)
- **GROHE StarLight®** finish

Applicable Codes & Standards:

- Energy Policy Act of 1992
- ASME A112.18.1/CSA B125.1
- ICC/ANSI A117.1

Color:

- 35039 000 chrome
- 35039 EN0 brushed nickel