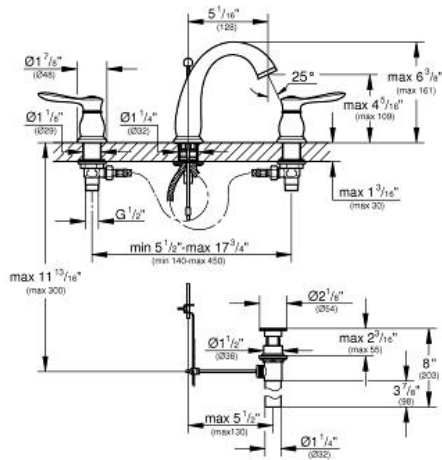


PARKFIELD
8" Lavatory Wideset
MODEL # 20390000

Pure Freude an Wasser



GROHE America, Inc | 200 North Gary Avenue, Suite G, Roselle, IL 60172
Phone: +1 (800) 444-7643 | Fax: +1 (800) 225-2778 | us-customerservice@grohe.com



Product Description:
8" Lavatory Wideset

Standard Specification:

- GROHE EcoJoy® technology for less water and perfect flow
- Spout with flow control
- GROHE StarLight® finish
- 1/2" ceramic cartridge (90° turn)
- Pop-up waste set
- Max Flow Rate: 1.5 gpm (5.7 L/min)

Applicable Codes & Standards:

- Energy Policy Act of 1992
- NSF 61
- ASME A112.18.1/CSA B125.1
- US Federal and State material regulations
- EPA WaterSense®
- ICC/ANSI A117.1

Color:

- 20390000 000 chrome