




Tubo 16



-  The Tubo 16's adjustable outlet allows 17.5° of variation to the angle of flow
-  Le robinet Tubo 16 permet un débit d'eau réglable avec une variation d'angle d'écoulement de 17.5°
-  La salida del Tubo 16 permite una variación de 17.5° en el ángulo de flujo



Tubo basin mixer

Tubo collection – purity of form and function; elegant brassware with a sleek aesthetic. Perfect for contemporary bathroom design. Made in England using traditional techniques.

- Minimum pressure: 7.25psi

Polished chrome (shown)

Mitigeur TUBO pour vasque

Collection Tubo – pureté des formes et des fonctions; robinetterie élégante avec un design épuré. Parfaite pour des salles de bains au design contemporain. Fabriquée en Angleterre à l'aide de techniques traditionnelles.

- Pression minimum: 7.25psi



Chromé (voir photo)

Tubo grifería para lavabo

Colección Tubo: pureza en la forma y función; grifería de estética elegante. Perfecta para un diseño de baño contemporáneo. Fabricada en Inglaterra a partir de técnicas tradicionales.

- Presión mínima: 7.25psi

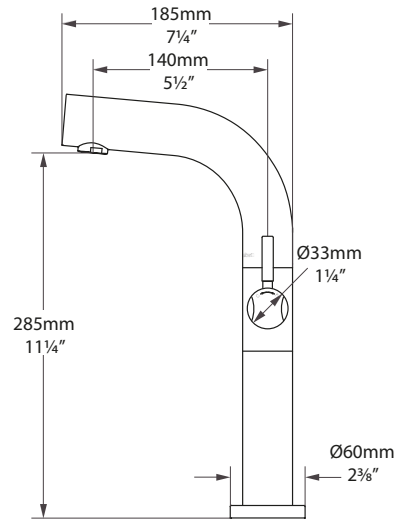
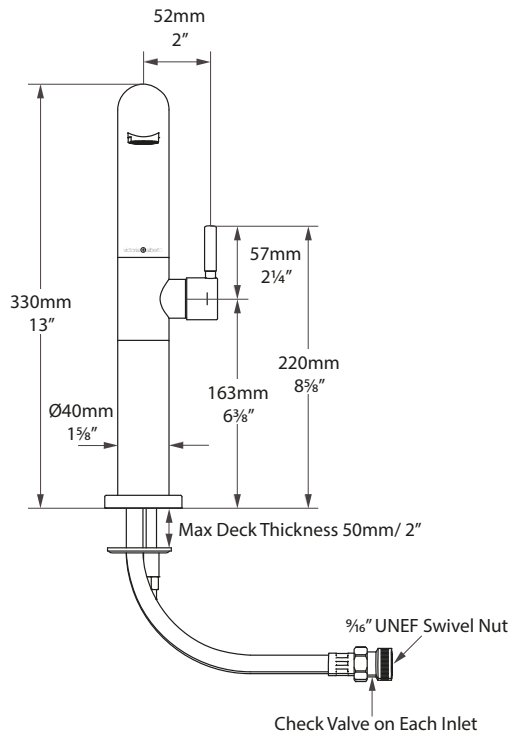
Cromado brillante (ver foto)

-  TU-16-PC Polished chrome, Chromé, Cromado brillante
-  TU-16-BN Brushed nickel, Nickel mat, Níquel satinado

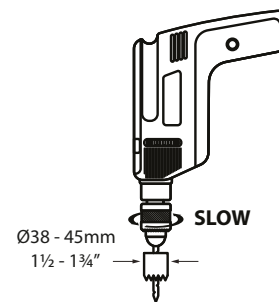
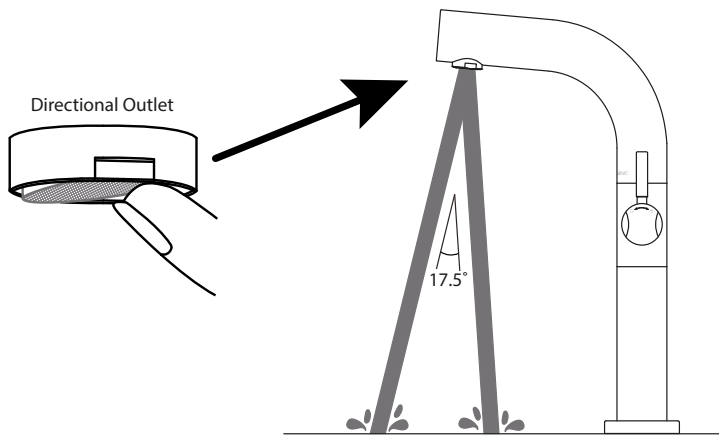
Massachusetts Code: Approved
 cUPC listing (ASME & CSA) by IAPMO: File No. 8086
 EPA Watersense High Efficiency Lavatory Faucet by IAPMO: File No. 9106
 IAPMO Green, CAL Green, LEED 2009: File No. G-9107
 Lead Free listing (Safe Drinking Water Act & California Health & Safety Code) by IAPMO: File No. 8251
 Drinking Water listing (NSF 61) by IAPMO: File No. N-8292
 CEC Appliance Efficiency Program: Listed
 Department of Energy Certificate: Listed
 ADA Compliant: Approved



Tube 16



Tube 14
 US 7.25psi minimum, 14.50psi recommended
 FR 7,25psi Minimum, 14,50psi empfohlen
 ES Minimum 7,25psi, 14,50psi recommandée



*All measurements subject to +/-5% tolerance

Pressure (psi)	7.25	14.50	21.75	29.00	43.51	58.00	72.52
Flow (gpm)*	0.75	1.04	1.20	1.20	1.20	1.20	1.20

*Restricted to 1.20 gm

Massachusetts Code: Approved
 cUPC listing (ASME & CSA) by IAPMO: File No. 8086
 EPA Watersense High Efficiency Lavatory Faucet by IAPMO: File No. 9106
 IAPMO Green, CAL Green, LEED 2009: File No. G-9107
 Lead Free listing (Safe Drinking Water Act & California Health & Safety Code) by IAPMO: File No. 8251
 Drinking Water listing (NSF 61) by IAPMO: File No. N-8292
 CEC Appliance Efficiency Program: Listed
 Department of Energy Certificate: Listed
 ADA Compliant: Approved