

MODEL NUMBER:

TRIM KITS:

- T440.740 Two-Handle Thermostat Trim Kit**
With separate volume control. LESS Valve.

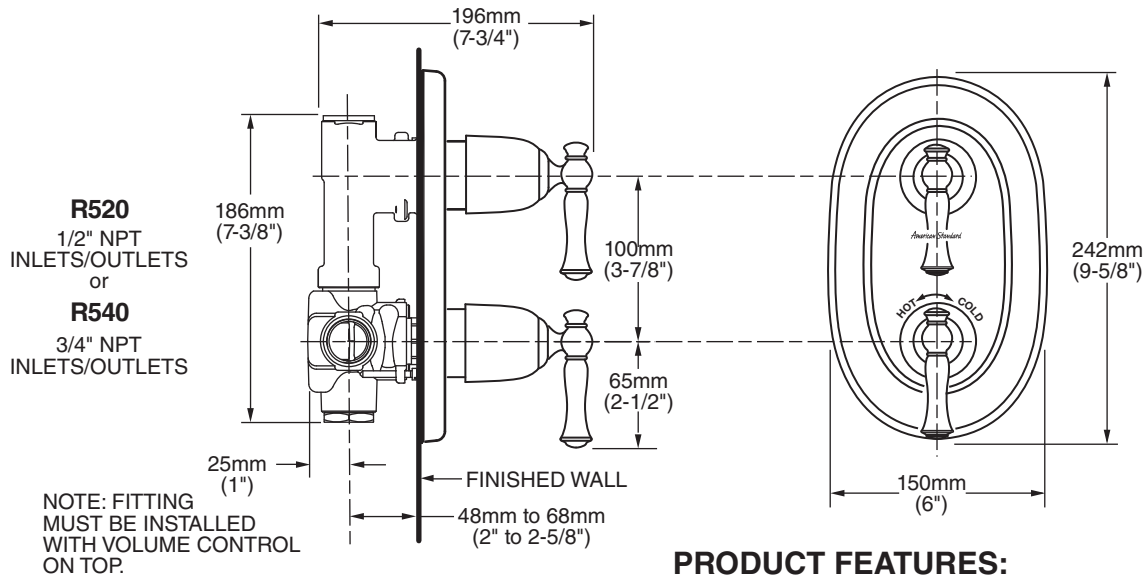
ROUGH VALVES:

TEMPERATURE & ON/OFF VOLUME CONTROL ONLY

- R520 Rough Valve Body only***
1/2" NPT inlets/outlets. With separate volume control. LESS Trim.
- R540 Rough Valve Body only***
3/4" NPT inlets/outlets. With separate volume control. LESS Trim.

TEMPERATURE & ON/OFF VOLUME CONTROL & BUILT-IN DIVERTER

- R522 Rough Valve Body only**
1/2" NPT inlets/outlets. With separate volume control & built-in 2-way diverter. LESS Trim.
- R523 Rough Valve Body only**
1/2" NPT inlets/outlets. With separate volume control & built-in 3-way diverter. LESS Trim.



GENERAL DESCRIPTION:

Cast brass valve body. The single unit contains two handles, the bottom lever handle sets the desired temperature and the top lever handle functions as an on/off, volume control. The temperature is maintained by a wax element moving a shuttle valve between hot and cold. The volume is controlled by twin ceramic disc valve cartridges. Ceratherm includes Hot Limit Safety Stop. Maximum temperature limit is 112°F. Escutcheon plate is stamped brass. Available with 1/2" or 3/4" NPT inlets and outlets. The valve has a high flow rate, ideal for multiple outlet installations.

PRODUCT FEATURES:

- Brass Casting:** Highest quality faucet material for durability & long life.
- Wax Thermostatic Unit:** Permits shuttle valve to move between the hot and cold seat to maintain the pre-selected constant water temperature.
- Back to Back Capable:** Hot and cold can be reversed.
- Spring-Loaded Check Valves:** When the hot and cold water enters the fitting, both supplies pass through the spring-loaded check valves to prevent cross flow of hot and cold water.
- Integrated Stop Valves:** Ensure easy cleaning and servicing.
- Adjustable Hot Limit Safety Stop:** Limits the amount of hot water allowed to mix with cold. Reduces the risk of accidental scalding. Maximum water temperature limit may be reduced to 104 or 109 degrees Fahrenheit.

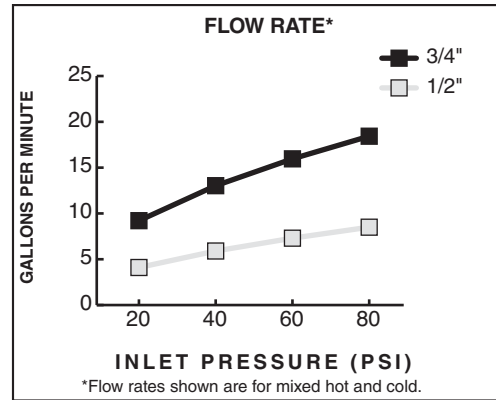
SUGGESTED SPECIFICATION:

Two handle Thermostat shall feature a cast brass valve body. Thermostat shall be a wax element shuttle valve. Shall also feature ceramic disc valving, 1/2" NPT or 3/4" NPT inlets and outlets. Fitting shall be American Standard Model # T440.740.____ (Trim Kit) and R52_ or R540 (Rough Valve).

CODES AND STANDARDS

These products meet or exceed the following codes and standards:

- ASSE 1016
- ASME A112.18.1
- CSA B125.1



TRIM KITS**	Product Number	Description	Finish Options		
			Polished Chrome	Oil Rubbed Bronze	PVD Satin Nickel
			002	224	295
	T440.740*	Two-handle Thermostat Trim Kit with separate volume control.			

ROUGH VALVE BODIES	Product Number	Description
	R520*	Rough Valve Body - 1/2" NPT Inlets/Outlets. With separate volume control only. LESS trim.
	R540*	Rough Valve Body - 3/4" NPT Inlets/Outlets. With separate volume control only. LESS trim.
	R522	Rough Valve Body - 1/2" NPT Inlets/Outlets. With separate volume control and built-in 2-way diverter. LESS trim.
R523	Rough Valve Body - 1/2" NPT Inlets/Outlets. With separate volume control and built-in 3-way diverter. LESS trim.	

***NOTE:** When used as a Bath/Shower a separate diverter valve is required (such as R420 or R430).
Requires twin ell (must be ordered separately) for use with diverter spouts.

****ROUGH & TRIM MUST BE ORDERED SEPARATELY.**